



Aggregation Rules for combustion under the IED (Chapter III and Annex I)

**IEEG
4 June 2012**

**Filip François
European Commission, DG Environment
Industrial emissions, air quality and noise Unit**

Contents

- *Annex I: aggregation rules (chapeau)*
 - in particular in relation to activity 1.1
- *Chapter III: aggregation and “de minimis” rules (art. 29)*
- *Examples: how does it work in practice?*

Annex I - Aggregation rules (1)

- *Definition of "installation" (art. 3(3))*
 - (...) **stationary technical unit within which one or more activities listed in Annex I or in Part 1 of Annex VII are carried out (...)**
- *Introductory paragraph to Annex I*
 - (...) **Where several activities falling under the same activity description containing a threshold are operated in the same installation, the capacities of such activities are added together (...).**

Annex I - Aggregation rules (2)

- *List of activities in Annex I defines **scope of Chapter II** and serves to distinguish activities and installations which are **covered/not covered** by that Chapter*
- **General aggregation rule for all activities**
 - equal treatment of comparable installations
 - prevents artificial "splitting" of installations
- **Activity 1.1**
 - combustion of fuels in installations with a total rated thermal input of 50 MW or more
 - broader than "combustion plants" under Chapter III
 - covers types of combustion plants which are exempted from the scope of Chapter III through article 28 (e.g. cowpers, coke batteries, ...)
 - "fuel" definition also covers waste fuels

Annex I - Aggregation rules (3)

*If the total rated thermal input of **all combustion activities** within the installation is **50 MW or more**, then the **whole installation** falls under the scope of Chapter II.*

- If this total is less than 50 MW, then the combustion of fuels is not an activity covered by Annex I.
- However, this does not automatically exclude the combustion units from being covered by Chapter II, e.g. in case they are directly associated to another activity listed in Annex I, e.g. a food processing plant, textile plant, ...



Ch. III - Aggregation rules (Art.29)

- The following combinations formed by two or more separate combustion plants shall be considered as a **single combustion plant** and their **capacities added for the purpose of calculating the total rated thermal input**:
 1. Where their waste gases **are** discharged through a common stack
 2. Where they have been granted a permit for the first time on or after 1 July 1987, or the operators have submitted a complete permit application on or after that date, and they are installed in such a way that, taking technical and economic factors into account, their waste gases **could** in the judgement of the competent authority, be discharged through a common stack
- For the purpose of calculating the total rated thermal input (...) **individual combustion plants with a rated thermal input below 15 MW shall not be considered.**



Ch. III – Setting ELVs (Art.30)

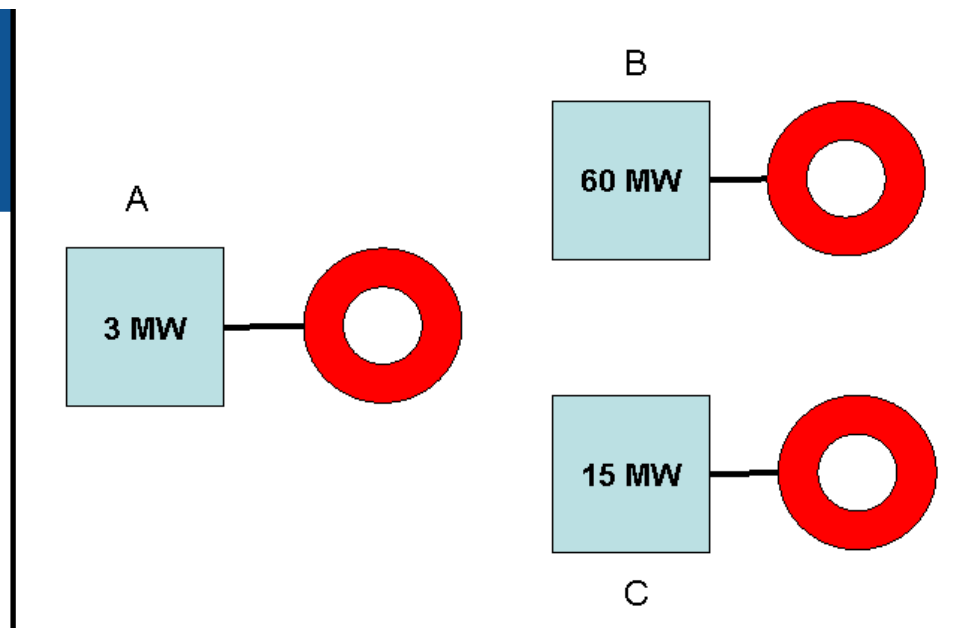
- *Article 30(4)*

- ELVs and desulphurisation rate shall apply to the emissions of each **common stack** in relation to the **total rated thermal input of the entire combustion plant**.
- Where Annex V provides that ELVs may be applied for a **part of a combustion plant** (limited number of operating hours), those ELVs shall still be set in relation to the **total rated thermal input of the entire combustion plant**.

- *Article 30(7)*

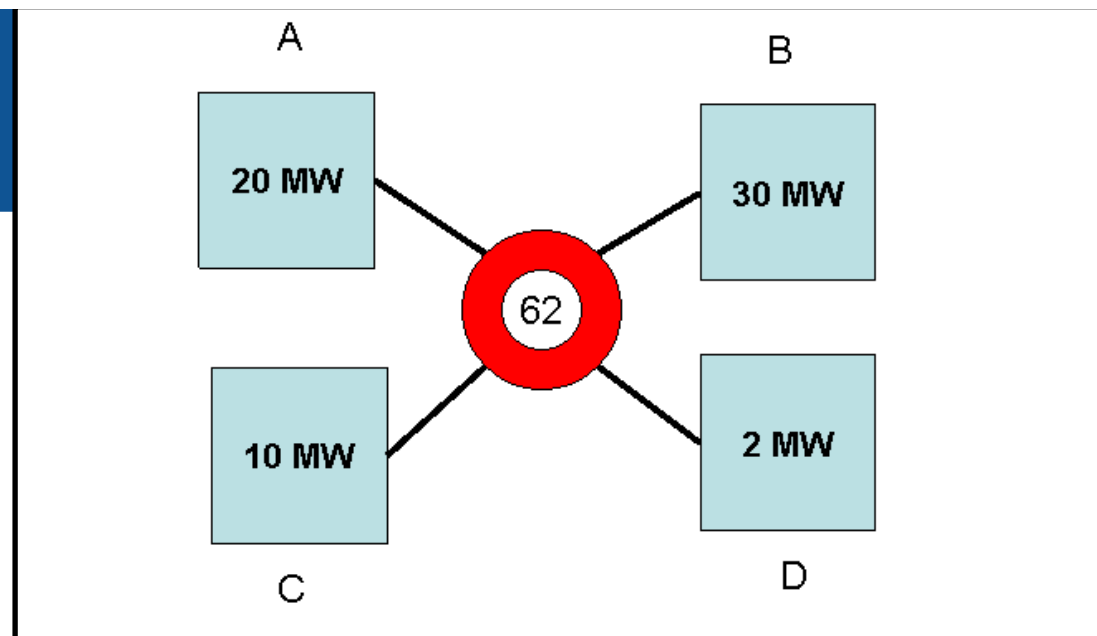
- In case of an **extension**, the ELVs set out in **Part 2 of Annex V** shall apply to the **extended part** of the plant and shall be set in relation to the **total rated thermal input of the entire combustion plant**.
- In the case of a **change** to a combustion plant, which may have consequences for the environment and which affects a part of the plant with a rated thermal input of **50 MW or more**, the ELVs set out in **Part 2 of Annex V** shall apply to the part of the plant which has **changed** in relation to the **total rated thermal input of the entire combustion plant**.

Examples



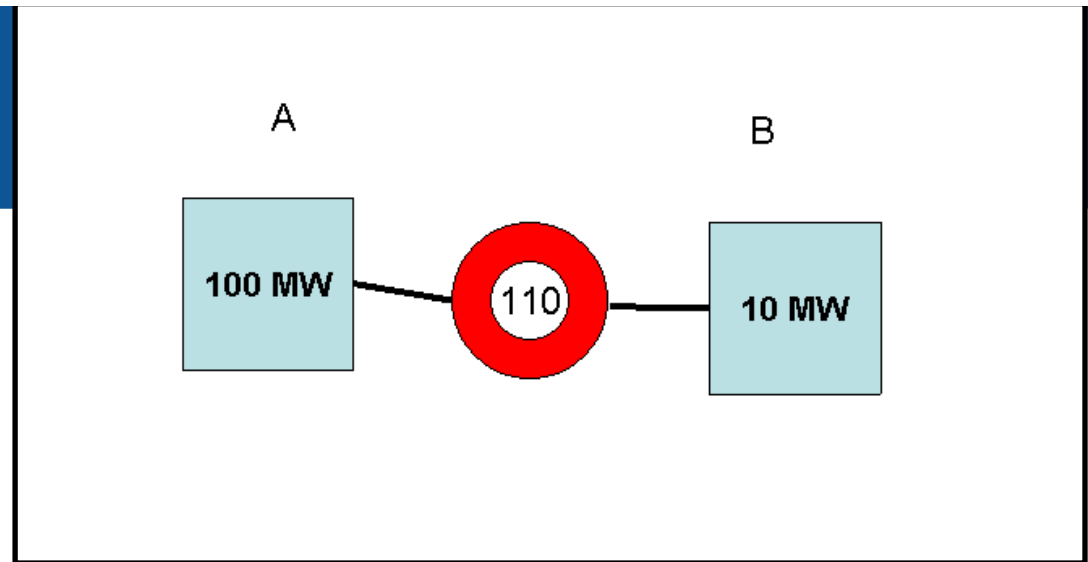
- Annex I (Ch. II)
 - **Total rated thermal input installation = 78 MW**
→ Whole installation (= 3 units) is within scope of Ch. II
- Chapter III (art. 29)
 - **Plant A is < 50 MW, so not covered by Ch. III**
 - **Plant C is < 50 MW, so not covered by Ch. III**
 - **Plant B = 60 MW combustion plant, covered by Ch. III**

Examples



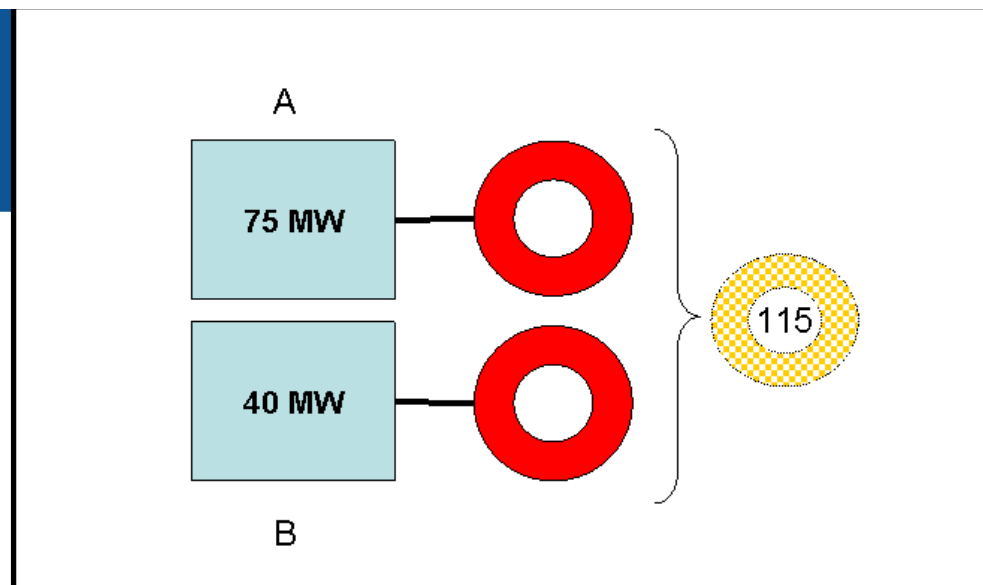
- Annex I (Ch. II)
 - **Total rated thermal input installation = 62 MW**
 - Whole installation (= 4 units) is within scope of Ch. II
- Chapter III (art. 29)
 - C and D are < 15 MW → thermal input not counted
 - This leaves A+B = 50 MW, so plant **covered** by Ch. III
 - Combination **A+B+C+D** = one single combustion plant of **50 MW**, covered by Ch. III

Examples



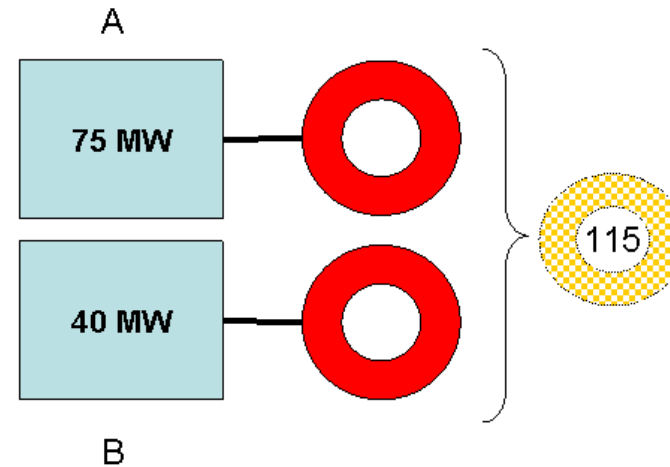
- Annex I (Ch. II)
 - **Total rated thermal input installation = 110 MW**
 - Whole installation (= 2 units) is within scope of Ch. II
- Chapter III (art. 29)
 - **B < 15 MW** → thermal input not counted
 - This leaves **A = 100 MW**, so plant **covered** by Ch. III
 - **Combination A+B = one single combustion plant of 100 MW**, covered by Ch. III

Examples



- Annex I (Ch. II)
 - **Total rated thermal input installation = 115 MW**
→ Whole installation (= 2 units) is within scope of Ch. II
- Chapter III (art. 29)
 1. If A **and** B permitted **after 1 July 1987**
AND competent authority decides that, taking technical and economical factors into account, waste gases **could be** discharged through one common stack
→ **Combination A+B = one single combustion plant of 115 MW, covered by Ch. III**

Examples



Chapter III (art. 29)

2. If A or B permitted **before** 1 July 1987

AND/OR competent authority decides that, taking technical and economical factors into account, waste gases **could NOT** be discharged through one common stack

→ A and B are **separate** combustion plants:

→ A (75 MW) covered by Ch. III

→ B (40 MW) NOT covered by Ch. III